

Bourdon tube pressure gauge per EN 837-1, DN 63 Type Series BA41.../BA44...



Features

- Bayonet ring case with blow-out device per EN 837-1
- Option: safety pattern gauge with solid baffle wall per EN 837-1 S3
- Case and pressure element assembly of stainless steel
- Case with liquid filling and degree of protection IP 65 (option)
- Accuracy class 1.6 per EN 837-1

Application

Pressure gauge for measuring gaseous, liquid and aggressive media in areas with particular requirements as for example in the chemical, petrochemical and foodstuff industries.

Technical Data

Case

high quality case with bayonet ring DN 63 with blow-out device per EN 837-1, option: safety version with blow-out back and solid baffle wall
material: st. steel mat.-no. 1.4301



Degree of protection (EN60529)

IP 54

IP 65 case with liquid filling

Pressure element assembly

bourdon tube and pressure connection
material st. steel mat.-no. 1.4571

Case filling

liquid filling glycerine/water

Process connection

pressure connection G 1/4 B,
option: 1/4" NPT, further threaded connections upon request.
Bottom or lower back connection according to EN 837-1

Movement

stainless steel segment

Scale

pure aluminium, white with black inscription.
Option: with red marking

Pointer

pure aluminium, black

Window

non splintering laminated glass

Case seal

sealing ring: NBR
filling plug: NBR

Blow-out device

material: NBR

Pressure compensation membrane

for safety version with case filling: Silicon

Nominal ranges

per EN 837-1
0...0.6 bar up to 0...1000 bar
other measuring units can be supplied

Overload protection

standard: 1.25times

Accuracy

class 1.6 per EN 837-1
class 2.5 for nominal ranges 0...600 bar and 0...1000 bar

Temperature ranges

operating temperature (ambient)
-20...+60 °C
storage temperature
-20...+60 °C

Mounting

stand-alone, upon request with flange for surface mounting or for flush mounting with DIN mounting flange

Weights

without filling: approx. 0.2 kg
with filling: approx. 0.3 kg

Special design

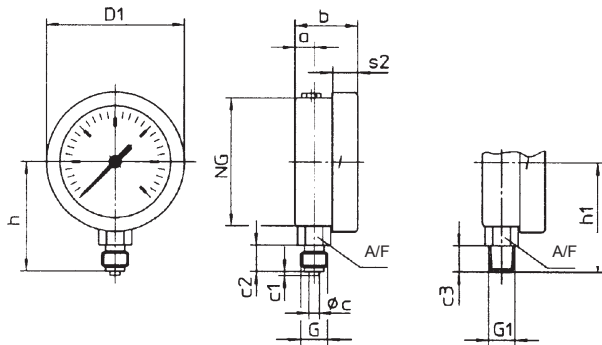
- restriction against pressure peaks
- certification of material testing for pressure connection and pressure-responsive element per DIN EN 10204

Information on other models see order details or upon request

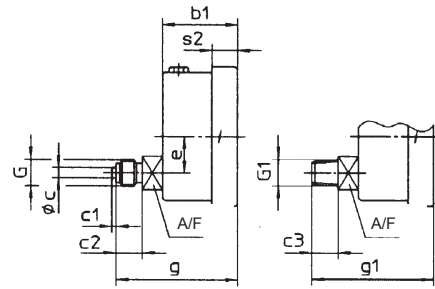
Dimensions

standard design

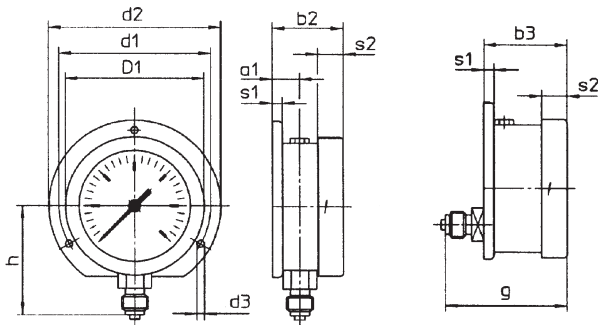
bottom connection



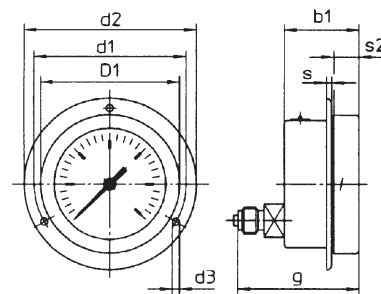
connection at back



for surface mounting



for flush mounting



dimensions (mm)

D1	a	a1	b	b1	b2	b3	c	c1	c2	c3	d1	d2	d3	d4	e	g	g1	h±1	h1±1	s	s1	s2	A/F
68.5	9.5	13.5	31	37	35	41	5	2	13	13	75	85	3.7	67	18	60	60	54	54	2.5	5	12.5	14

variant dimensions for safety case: D1 = 63, b = 41, s2 = 14

Order Details

- please give additional specifications for models not listed -

Bourdon tube pressure gauge

case design	degree of protection IP 54	process conn. bottom	· DN 63 standard	BA4100
		process conn. at back	· DN 63 safety design	BA4400
	degree of protection IP 65 with liquid filling	process conn. bottom	· DN 63 standard	BA4120
		process conn. at back	· DN 63 safety design	BA4420
process connection ²	· G 1/4 B		A	
	· 1/4" NPT		B	
nominal range	· per table		..	
additional features (to be indicated in case of need, only)				
marking	· on scale (pls. specify)			T2
mounting	· rear flange for surface mounting			V2
	· front flange for flush mounting			V3
	· front flange with clamp clip for flush mounting ¹			V4
Order code (example):				BA4100 A56

standard nominal ranges			
nominal range bar	order code	nominal range bar	order code
-0.6...0	85	0...4	56
-1...0	86	0...6	57
-1...0.6	87	0...10	58
-1...1.5	88	0...16	59
-1...3	89	0...25	60
-1...5	90	0...40	61
-1...9	91	0...60	62
-1...15	92	0...100	63
-1...24	93	0...160	64
0...0.6	52	0...250	65
0...1	53	0...400	66
0...1.6	54	0...600	68
0...2.5	55	0...1000	70

¹ with process connection at back only

² certificate per DIN EN 10204-3.1 upon request