

# Standard Signal Measuring Contact

AD-MK 330 GS

## Description

The measuring contact AD-MK 330 GS compares the measuring value applied at the input with the measuring value set at the push-button encoder switch. If the measuring signal exceeds or falls below the set value, the appropriate output relay reacts to pre-set function.

As analogue input value all three standard signals (0-20mA, 4-20mA, 0-10V) are possible without additional commutation. The critical values are to be set at 0-99% at the front via encoder switch. The output function 2 max, 2 min or 1 max/min as well as the rest or working principle of the output relay is also adjustable at the front. Input, output and the supply voltage are galvanically separated from each other.

A highly efficient, integrated electronic power pack enables operation with 20-253 V AC/DC. There is no possibility of cross polarity of

the connection voltage. A high packing density is achieved due to its narrow build.

## Application

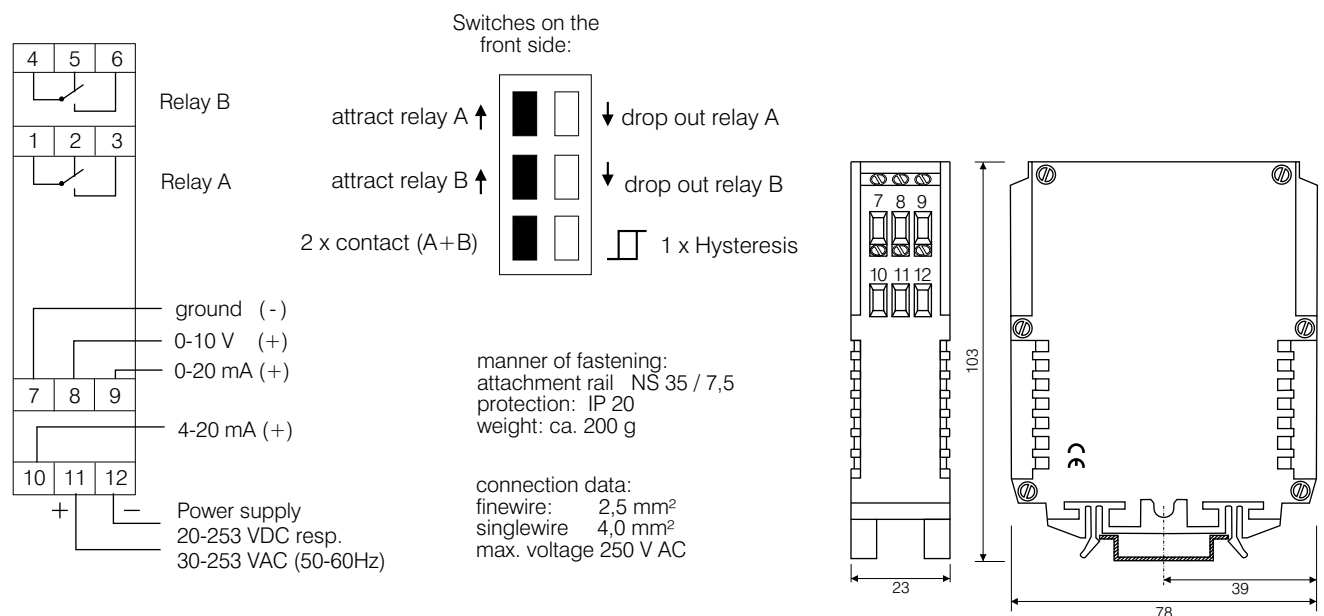
Monitoring and signalling of critical values of analogue measuring signals, as for instance flow, level, temperature, dry operating protection.

## Specification

Construction type:	1-channel switchboard housing
Power supply:	ALLPOWER 20-253V AC/DC
power consumption:	ca. 2,3VA resp. 1,5W
Input:	selectable 0-20mA, 4-20mA, 0-10V
Input-resistance:	with 0/4-20mA: 50 Ohm with 0-10V: 400kOhm
Output:	2 relays (changer), selectable in rest- or working principle
Breaking voltage:	max. 250V, 50Hz
r.m.s. current:	max 2A
Breaking capacity:	max. 100VA
Selectable function:	2 max, 2 min, 1 max/min
Precision:	1% resp. 1 digit
EMC-certification:	CE-conform IEC 801-5 SURGE class 3 IEC 801-4 BURST class 3
Radio shielding	EN 55011, limit-graph B
Protective systems:	input/power supply: against over voltage, confusing the poles, over current, over temperature
Ambient temperature:	0° - 50° C



Connections and dimensions: AD-MK 330 GS



# Supply Measuring Contact

## AD-SMK 330 GS

### Description

The supply-measuring-contact AD-SMK 330 GS supplies a 2 or 3 wire transmitter with a DC voltage of 24 V DC, registers and compares the measuring value of 4-20 mA at the input with the values set at the touch code switches. If the measuring signal is higher or lower than the set value, the appertaining output relay reacts to pre-set function.

The limiting values are set at the front via touch code switches 0 - 99%. The output functions 2 max., 2 min. or 1 max/min as well as the rest or working principle of the output relay can also be set at the front side. Input feed voltage, outputs and the supply voltage are separated from each other galvanically.

### Application

Potential free supply of a 2 or 3 wire transmitter with monitor and

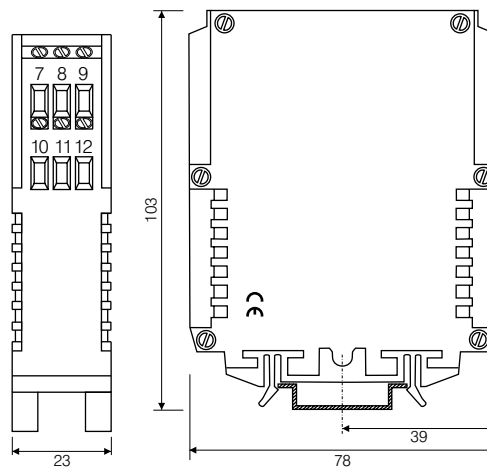
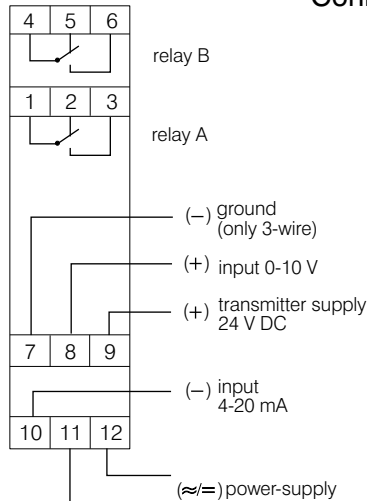
signalling of limiting values of analogue measuring signals such as flow-through, height levels, temperatures, dry run protection, amongst others.

### Specification

Construction type:	1-channel switchboard housing
Power supply:	ALLPOWER 20-253 V AC/DC internal galvanical separate
Power consumption:	ca. 2,3VA resp. 1,8 W
Input:	4-20mA from 2- or 3-wire transmitter
Transmitter supply:	24V DC internal limited to 30 mA
Input-resistance:	50 Ohm with 4-20 mA
Output:	2 relays (change over contact), selectable in rest- or working principle
Breaking voltage:	max. 250V, 50Hz
Switching current:	max 2A
Breaking capacity:	max. 100VA
Selectable function:	2 max, 2 min, 1 max/min
Precision:	1% resp. 1 digit
EMC-verification	CE conform IEC 801-5 SURGE, class 3 IEC 801-4 BURST, class 3
Noise suppression	EN 55011, marginal testing graph "B"
Protective systems:	input/power supply: against over- voltage, confusing the poles, over- current and over-temperature
ambient temperature:	0- 50°C



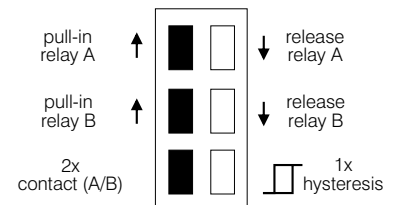
### Connections and dimensions: AD-SMK 330 GS



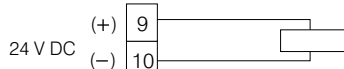
weight: ca. 200 g  
protection: IP 20  
manner of fastening:  
DIN rail: NS35/7,5

connection data:  
fine-wire: 2,5 mm<sup>2</sup>  
single-wire: 4,0 mm<sup>2</sup>  
max. voltage: 250 V~

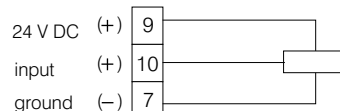
switches on the front-side



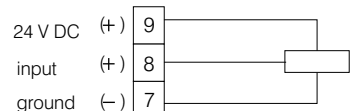
#### connecting 2-wire-transmitter



#### connecting 3-wire-transmitter (current)



#### connecting 3-wire-transmitter (voltage)



Printed 01/2009. We reserve the right for technical changes

Tablar Messtechnik GmbH  
Tel.: +49 (0)203 / 301-4431  
Fax: +49 (0)203 / 301-4535

Ludwig-Krohne-Str. 5 D-47058 Duisburg  
contact@tablar.com  
www.tablar.de