

GENERAL CHARACTERISTICS

Mechanical Flow Switch for liquids or gaseous media. A bellow-supported paddle activates an adjustable micro switch. Rugged design in brass or stainless steel.

- * operational range a diameter 25-200
- * good repeatability
- * low pressure loss

Male thread R1" brass/stainless steel



CRG-025HM

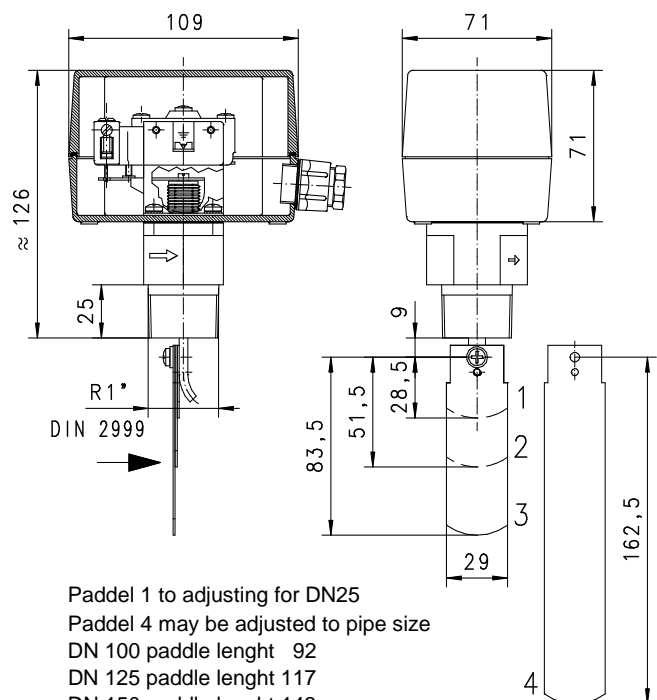
TECHNICAL DATA

DN	Qmax. recom. m³/h H₂O	adjustable range m³/h H₂O	adjustable range reduced m³/h H₂O	paddle
25	3.6	0.6 - 2.0	0.2 - 1.0	1
32	6	0.8 - 2.8	0.25- 1.4	1
40	9	1.1 - 3.7	0.5 - 1.9	1
50	15	2.2 - 5.7	0.9 - 3.6	1,2
65	24	2.7 - 6.5	1.2 - 4.9	1,2
80	36	4.3 - 10.7	2.1 - 7.4	1,2,3
100	60	11.4 - 27.7	4.9 - 17.1	1,2,3
	60	6.1 - 17.3	3.3 - 11.6	1,2,3,4
150	120	35.9 - 81.7	16.6 - 47.6	1,2,3
	120	12.3 - 30.6	6.1 - 21.4	1,2,3,4
200	240	72.6 - 165.7	25.7 - 90.1	1,2,3
	240	38.6 - 90.8	21.7 - 55.3	1,2,3,4

Adjustable range is indicated for horizontally decreasing flow.

pressure	CRG-025HM	11 bar static 11 bar dynamic
	CRG-025HK	30 bar static 11 bar dynamic
media temperature	max. 120°C	
average pressure loss	0.08bar at Qmax.	
hysteresis	depending on switch value minimum 0.1 l/min.	
weight	CRG-025HM	0.90kg
	CRG-025HK	0.95kg

Attention! Paddle fixation not secured.
With critical conditions (i.e. vibration) please protect paddle screws.



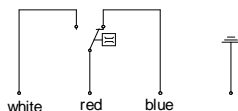
Paddel 1 to adjusting for DN25
Paddel 4 may be adjusted to pipe size
DN 100 paddle lenght 92
DN 125 paddle lenght 117
DN 150 paddle lenght 143
from DN 175 original paddle lenght

MATERIALS

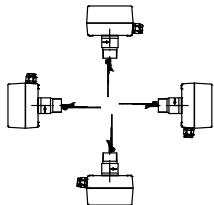
	CRE-025HM	CRE-025HK
housing	brass Ms58	stainless steel 1.4571
paddle	stainless steel 1.4571	stainless steel 1.4571
bellow	tombak	stainless steel 1.4571
cap	ABS	ABS

ELECTRICAL DATA

micro switch - wiring 0.374 change over
250 V AC 15(8) A
cable gland Pg11
protection class IP 65



MOUNTING POSITION



Installation position may influence switch value.

METERING SUBSTANCES



water



oil



design stainless steel CRG-025HK for aggressive liquids

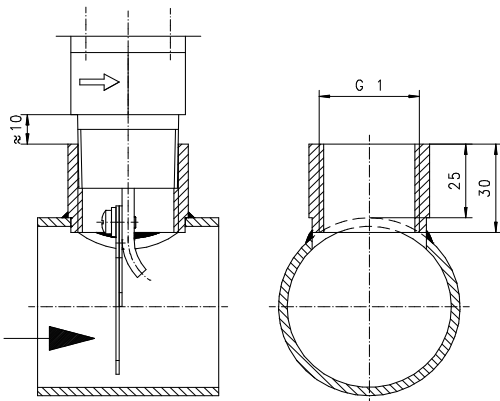
NOMENCLATURE

CRG-	025	H	M	S	basic type
	025				specification
		H			● connection thread DN25 - R1"
			M		● socket thread
			K		● brass design
				S	● stainless steel design
				R	● cable gland in cap
Special option					○ reduced adjustable range
VARIO					□ gold contacts 125 V AC / 1 A adjustment

IMPORTANT FOR YOUR ORDER

- Please indicate flow direction, metering substance and adjustable range with your order.
- With viscous liquids please indicate viscosity, temperature and metering substance (adjustable range on request)

INSTALLATION RECOMMENDATIONS



tube DIN 2448 standard wall thickness

SPECIAL APPLICATIONS

flow switch
TÜV-approval



wind vane switch



Request please the data sheet 3.1.CRE.

Request please the data sheet 3.1.YR.



All technical changes reserved

IBASIC Standard ○BASIC Programme option □VARIO Special option ⊕ PLUS Accessories ✗ not recommendable