

Sight Flow Indicators (straight line)

with pipe - thread connection BSP (G) or NPT

Type N-881

Page 1 of 1

Cast Iron GG 25 (EN-GJL-250) max. 16 bar
Cast Steel GS-C 25 (1.0619 / GP240GH)
Stainless Steel WN 1.4408

Female-Threaded-Design

Application:

Flow indicators are used for optical control of fluids and gases, for horizontal and vertical pipelines.

Installation:

Optional
 Take care of flow direction

Operating conditions:

Working pressure: max. 16 / 25 / 40 bar
 Working temperature: max. 150°C or 280°C

Materials:

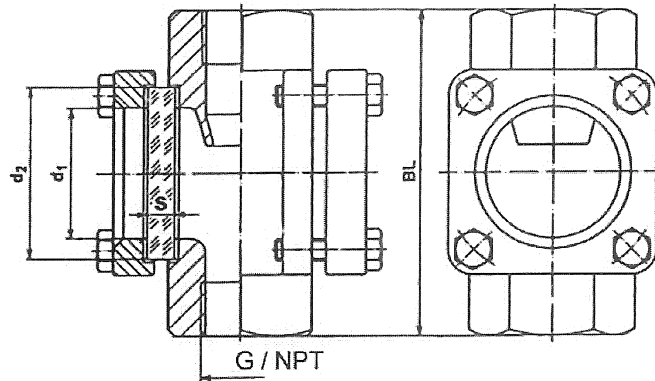
Body	GG 25	GS-C 25	1.4408
Covers	GG 25	GS-C 25	1.4408 / 1.4301
Screws	4.6 / 5.6 gal.		A4-70
Sight glasses	Borosilicate glass DIN 7080 (280°C) Soda lime glass DIN 8902 (150°C)		
Gaskets	Graphite, (or other materials)		

Options:

- with - Spinner
- Flap
- Sight glass light – fittings

Ordering example:

Sight Flow Indicators Type N881
 Body GG 25,
 Borosilicate glass DIN 7080-16bar,
 G 3/4"



Dimensions:

BSP (G) or NPT	BL	d ₁	Glass plate			
			d ₂	S		
				16	25	40 bar
1/4" 3/8" 1/2"	100	32	45	10	10	10
3/4" 1"	120	48	63	10	12	15
1 1/4"	160	65	80	12	15	20
1 1/2"	160	65	80	12	15	20
2"	230 180 (GG)	80	100	15	20	25

NPT-thread only in GS-C 25 or 1.4408